

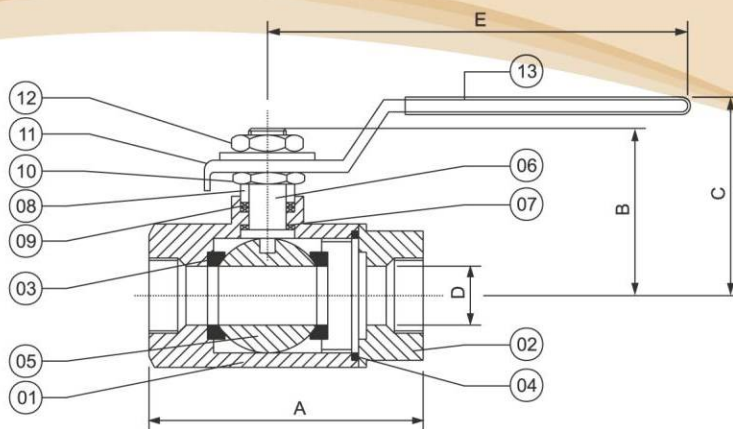
Darshan

Valve & Controls

Investment Casting One Piece Design Ball Valve

Full Port, Screwed End,
BSP/NPT, Socketweld,
Butt-weld End

Size Range :
6 mm to 50 mm



MATERIAL SPECIFICATION

NO.	PARTS NAME	QTY.	MATERIALS		
1	BODY	1	ASTM A	ASTM A	ASTM A
2	BODY CAP	1	351 CF8	351 CF8M	216 WCB
3	BODY SEAL	2	VIRGIN PTFE		
4	CAP SEAL	1	PTFE		
5	BALL	1	AISI 304	AISI 316	S.S. 304
6	STEM	1			
7	STEM SEAL	1	VIRGIN PTFE		
8	GLAND	1	AISI 304	AISI 316	AISI 410
9	GLAND PACKING	3	VIRGIN PTFE		
10	GLAND NUT	1	S.S. 304	S.S. 304	M.S.
11	LEVER	1	S.S. 304	S.S. 304	M. S.
12	LEVER NUT	1	S.S. 304	S.S. 304	M. S.
13	LEVER SLEEVE	1	SPECIAL PVC		

TEST PRESSURE

TEST	MEDIUM	PRESSURE
SEAT	HYDRAULIC	22 KG / CM ²
SEAT	AIR	5.5 TO 7.0 KG / CM ²
BODY	HYDRAULIC	30 KG / CM ²

● GLASS PTFE, CARBON PTFE, BRONZE PTFE AVAILABLE ON REQUEST.

MATERIALS CHEMICAL COMPOSITION

MATERIALS	C	MN	SI	CR	MO	P	S	NI
ASTM A 351 CF8	Max.0.08	Max.1.50	Max. 2.00	18.0 to 21.0	Max.0.50	Max. 0.04	Max. 0.04	8.00 to 11.0
ASTM A 351 CF8 M	Max.0.03	Max.1.50	Max.1.50	18.0 to 21.0	2.0 to 3.0	Max. 0.04	Max. 0.04	9.00 to 12.0
ASTM A 216 WCB	Max.0.30	Max.1.00	Max. 0.60	Max.0.4	Max. 0.25	Max. 0.04	Max. 0.045	Max. 0.5

AS WE CONTINUOUSLY ENDEAVOUR TO IMPROVE OUR PRODUCTS, THE DATA, DIMENSIONS, SPECIFICATIONS & DRAWINGS GIVEN HEREIN ARE SUBJECT TO CHANGE.

Manufactured By :



Darshan
Valve & Controls

MANUFACTURER INDUSTRIAL VALVES

42, Sheeji Industrial Estate, Raipur Mill Compound, Saraspur, Ahmedabad - 380 014, (Guj.) INDIA.
Ph.: +91 79 2277 2229 M.: +91 9879546750 E-mail : darshanvalve@gmail.com Website : safetyvalve.in

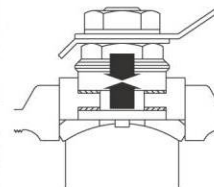
DIMENSIONS (IN MM)

SIZE	A	B	C	D	E
6	65	36	46	6	113
10	65	36	46	9	113
15	65	36	46	12.6	113
20	77	46	60	19	145
25	85	46	66	24	145
32	102	72	90	30	185
40	102	72	95	35	185
50	126	82	102	46	185

● Mfg. Standard: API 6D/BS 5351 ● Testing Standard: API 598/BS 5146
● Threads : BSP / BSPT / NPT as per gauge size.

BLOW OUT PROOF STEM

Darshan Valves is providing maximum safety with bottom entry Stem. Internal pressure works to help make the seal rather than break it as in a top entry Stem Design. The design ensures that Stem blow out does not take place. Safeguarding personnel working in it's vicinity. Opposed Belleville washers act as a spring to Compensate for wear & tear expansion and contraction.



SPECIAL FEATURES

Darshan Valves are provided with three interlaced PTFE rings clubbed together, triple locking PTFE rings to make zero leak from gland. This act as a cushion and suppresses pressure and helps in zero leak performance from gland.