

Darshan

Valve & Controls

Cast Iron-Cast Carbon Steel Gland Type Ball Valves Three Piece Design

Full Port, Flanged end
ANSI Class - 150# / 300#

Face to Face
ANSI B 16.10

End Connection
Flanged to
ANSI B 16.5 RF / 'E' / 'F' Table

Size Range : 15mm to 300 mm

ANSI CLASS - 150 DIMENSIONS (IN MM)

Size	A	D	E	B	NB	C
15	90	90	60.5	35	12.5	10
20	100	100	70	43	19	10.90
25	110	110	79.5	51	25	11.60
40	125	125	98.5	73	38	14.70
50	150	150	120.5	92	50	16.30
65	180	180	140	105	63	17.90
80	190	190	152.5	127	75	19.50
100	230	230	190.5	157	100	24.30

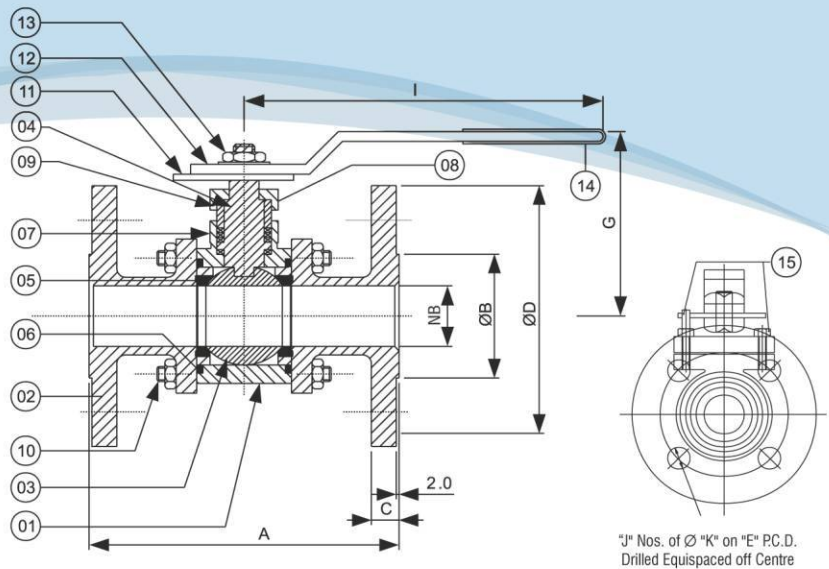
DIMENSIONS (IN MM)

Size	G	I	J	K
15	55	135	4	16
20	60	135	4	16
25	75	225	4	16
40	115	450	4	16
50	115	450	4	19
65	185	550	4	19
80	185	550	4	19
100	195	550	8	19

TEST PRESSURE

TEST	MEDIUM	PRESSURE
SEAT	HYDRAULIC	21 KG / CM ²
SEAT	AIR	5.5 TO 7.0 KG / CM ²
BODY	HYDRAULIC	30 KG / CM ²

- GLASS PTFE, CARBON PTFE, BRONZE PTFE AVAILABLE ON REQUEST.



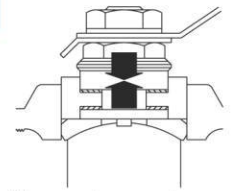
MATERIAL SPECIFICATION

NO.	PART NAME	QTY.	MATERIAL		
1.	BODY	1	CAST IRON	MILD STEEL	CAST STEEL
2.	BODY CONNECTOR	2			
3.	BALL	1	AISI304	AISI304	AISI304
4.	STEM	1	AISI410	AISI410	AISI410
5.	BODY SEAT	2	VIRGIN PTFE		
6.	CONNECTOR SEAL	2			
7.	STEAM SEAL	1+3			
8.	GLAND	1	CAST IRON	MILD STEEL	ASTM A 216 GR WCB
9.	GLAND COLOUR	1	AISI410	AISI410	AISI410
10.	BODY STUD & NUT	4x2	ASTM A 193 GR B7 / ASTM A 194 GR. 2H		
11.	STOPPER PLATE	1	M.S.	M.S.	M.S.
12.	LEVER	1	M.S.	M.S.	M.S.
13.	LEVER NUT	1	ASTM A 194 GR 2H		
14.	LEVER SLEEVE	1	SPECIAL PVC		
15.	GLAND BOLT-STOPPER	2	M.S.		

- Mfg. Standard: API 6D/BS 5351 • Testing Standard: API 598/BS 5146

BLOW OUT PROOF STEM

Darshan Valves is providing maximum safety with bottom entry Stem. Internal pressure works to help make the seal rather than break it as in a top entry Stem Design. The design ensures that Stem blow out does not take place. Safeguarding personnel working in it's vicinity. Opposed Belleville washers act as a spring to Compensate for wear & tear expansion and contraction.



SPECIAL FEATURES

Darshan Ball Valves are provided with heavy duty stem and extra longer handle, which gives easy and smooth operation. This reduces the friction and operating torque, and there by extends the life of the valves.

AS WE CONTINUOUSLY ENDEAVOUR TO IMPROVE OUR PRODUCTS, THE DATA, DIMENSIONS, SPECIFICATIONS & DRAWINGS GIVEN HEREIN ARE SUBJECT TO CHANGE.

Manufactured By :



Darshan
Valve & Controls

MANUFACTURER INDUSTRIAL VALVES

42, Sheeji Industrial Estate, Raipur Mill Compound, Saraspur, Ahmedabad - 380 014. (Guj.) INDIA.
Ph.: +91 79 2277 2229 M.: +91 9879546750 E-mail : darshanvalve@gmail.com Website : safetyvalve.in